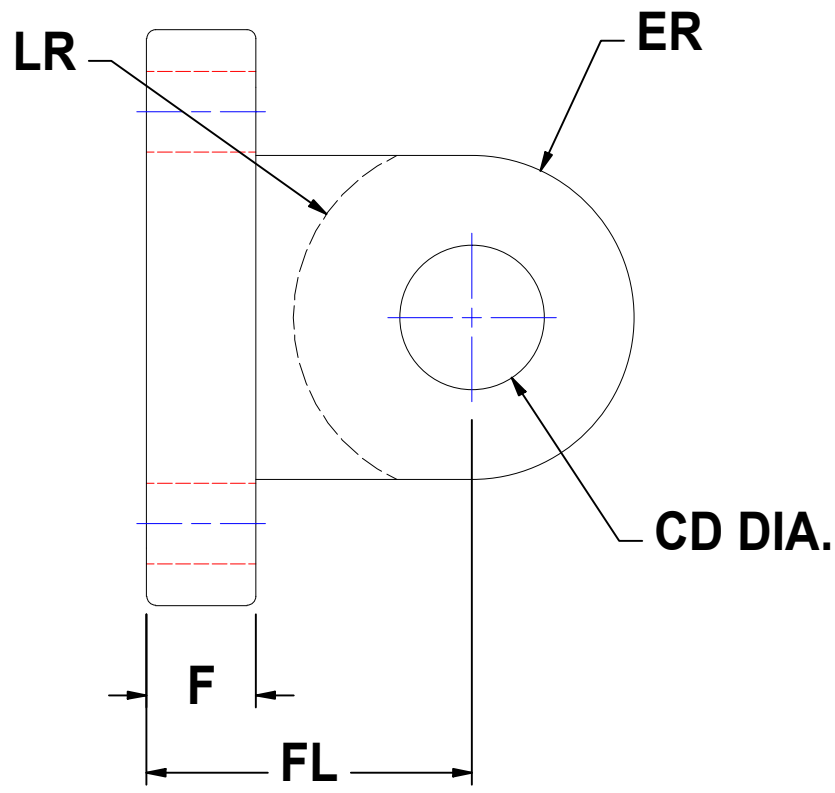


1

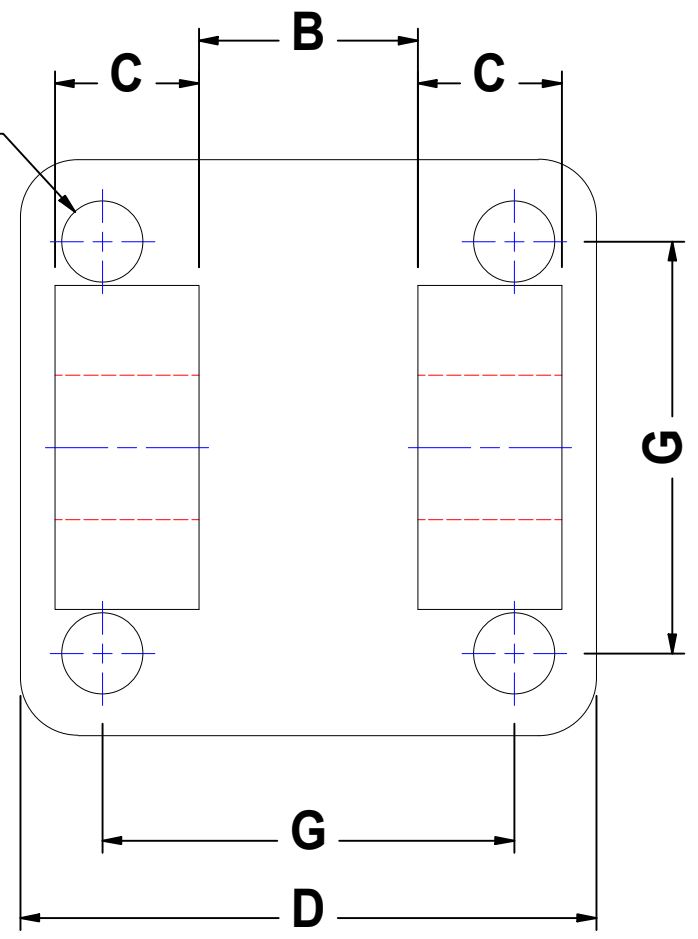
2

A

A



DD DIA.  
OR  
TAPPED



B

B


B

B

1

2

DATE	INITL	DESCRIPTION	REV

PART MATL: <b>Iron, Cast</b>		MATERIAL DESCRIPTION:		CUT LENGTH / BLANK SIZE: * ALLOWANCE	
 <b>TITAN WORLDWIDE INC.</b> <small>701 MONTREAL STREET THUNDER BAY, ON P7E 3P2 CANADA TEL: 807-474-5337 FAX: 807-623-5692 www.titanworldwide.com</small>		<b>**UNLESS OTHERWISE NOTED**</b> <b>MACHINING TOLERANCES:</b> X.X = ±0.03 X.XX = ±0.01 X.XXX = ±0.005; ØX.XXX = ±0.001 <b>BREAK ALL SHARP EDGES: 0.005 - 0.01</b>		DRAWN: DATE: <b>2021-06-24</b>	
		SHEET SIZE: <b>A</b> SHEET: <b>1 OF 1</b> WEIGHT: <b>N/A</b>		ENGINEER:	
		TITLE:		FILE NAME: <b>MP2 DETACHABLE MOUNT.idw</b>	
C.N.C No:		DRAWING No:		REVISION: <b>A</b>	
		<b>MP2 DETACHABLE MOUNT</b>			