

1

2

A

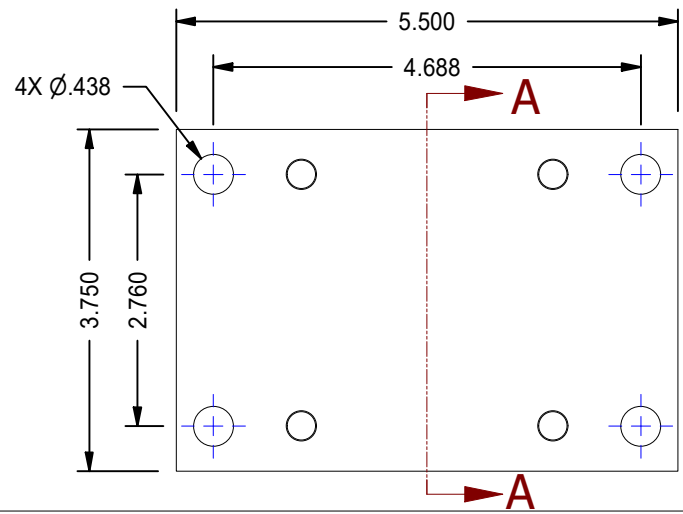
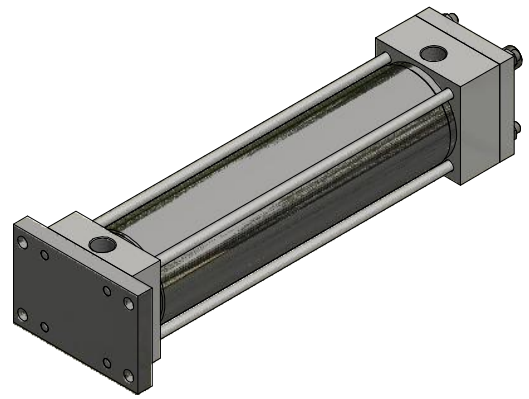
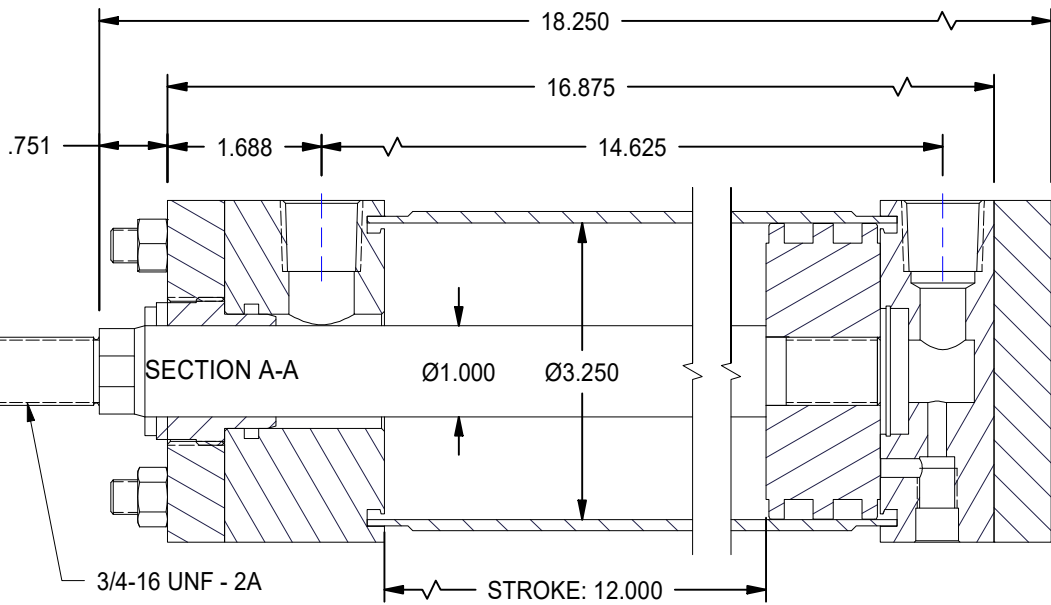
A

B

B

2X 1/2 NPT PORTS

1.125 2.438 17.625 .625



1

2

DATE	INTL	DESCRIPTION	REV

MODEL NUMBER:

TITAN WORLDWIDE INC.
31 Year ISO 9001
 Clear that all products are made in power. One that stands out for
 greatness of achievement!

701 MONTREAL STREET
 THUNDER BAY, ON
 P7E 3P-2
 CANADA
 TEL: 807-474-5337
 FAX: 807-623-5692
 www.titanworldwide.com

PROJECT/CUSTOMER INFO:		DSGND:	DATE: 2013-03-07
CAPACITY: 3000 PSI		WEIGHT: 28.773 lbmass	
SHEET SIZE: A	SHEET: 1 OF 1	FILENAME:	TRP3.25MF2LU14X12.00.idw
TITLE: TRP3.25MF2LU14X12.00			
DRAWING No:			REVISION: