

1

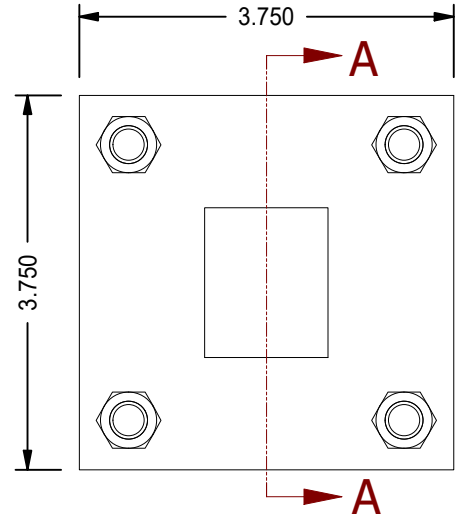
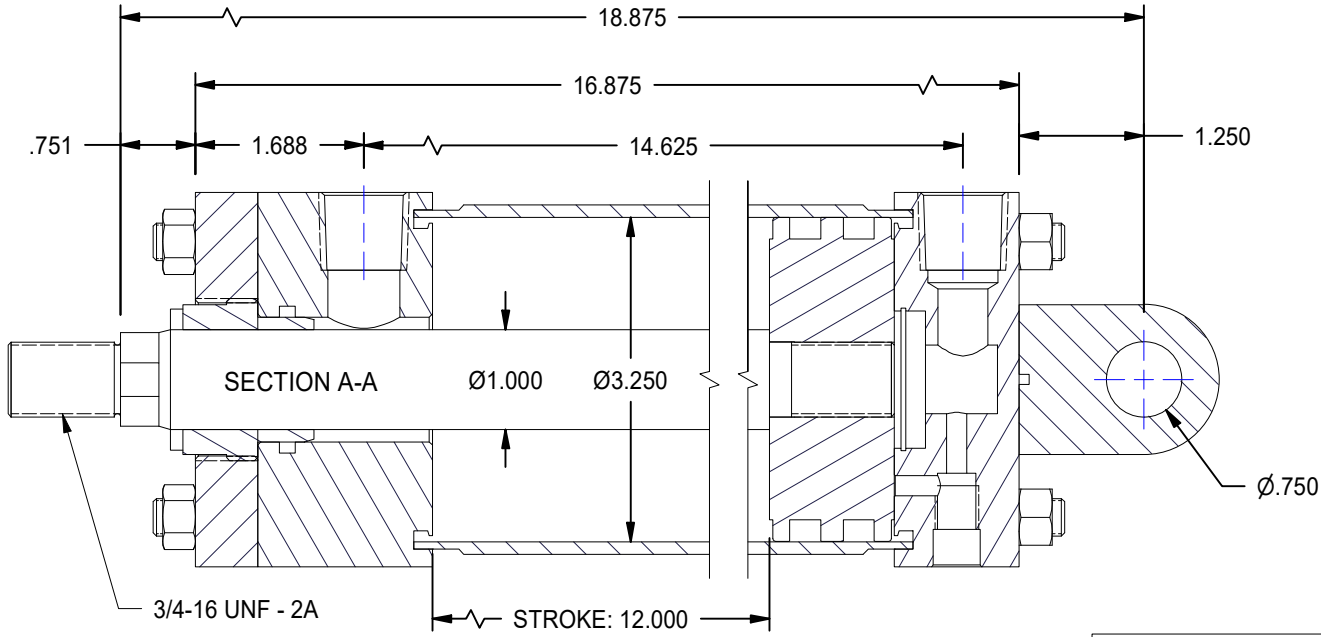
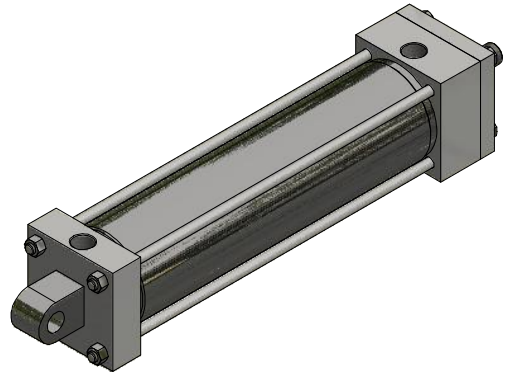
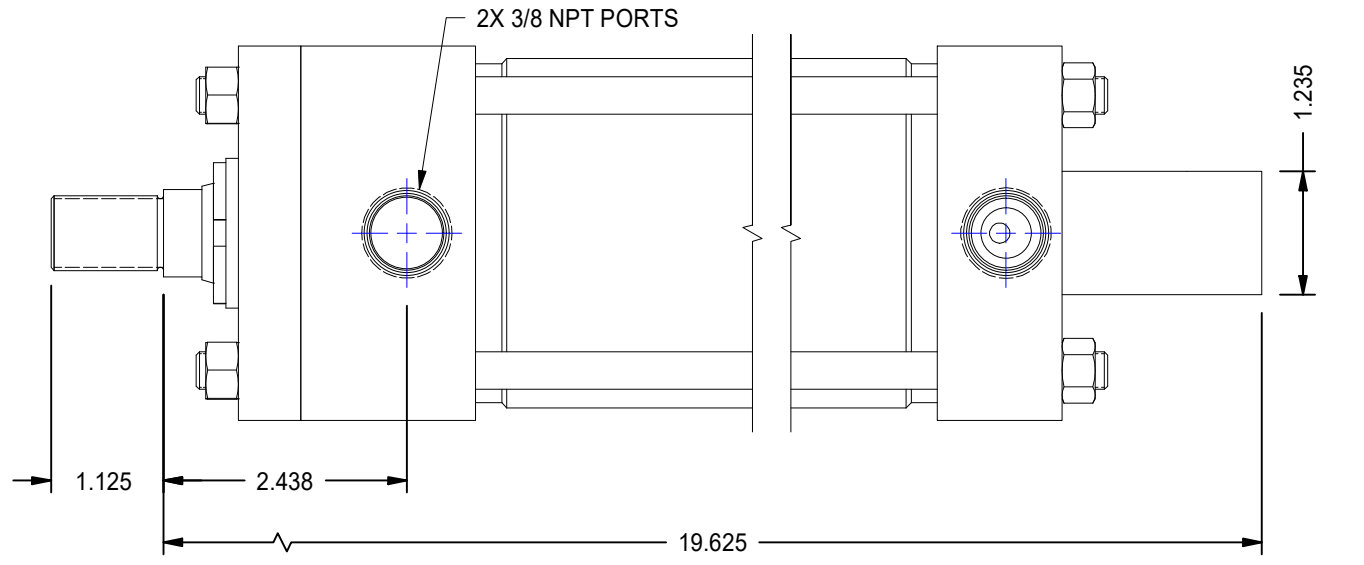
2


A

A

B

B



MODEL NUMBER:		PROJECT/CUSTOMER INFO:		DSGND:	DATE: 2013-03-07
 TITAN WORLDWIDE INC. <small>701 MONTREAL STREET THUNDER BAY, ON P7E 3P2 CANADA TEL: 807-474-5337 FAX: 807-623-5692 www.titanworldwide.com</small>		CAPACITY: 250 PSI		WEIGHT: 26.118 lbmass	
		SHEET: A SHEET: 1 OF 1 FILENAME: TRP3.25MP3LU14X12.00.idw		TITLE: TRP3.25MP3LU14X12.00	
DRAWING No:				REVISION:	

1

2

DATE	INTL	DESCRIPTION	REV