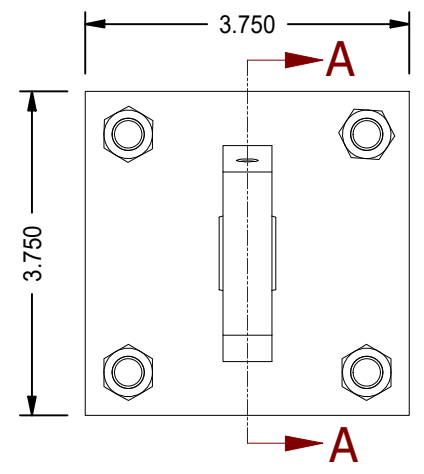
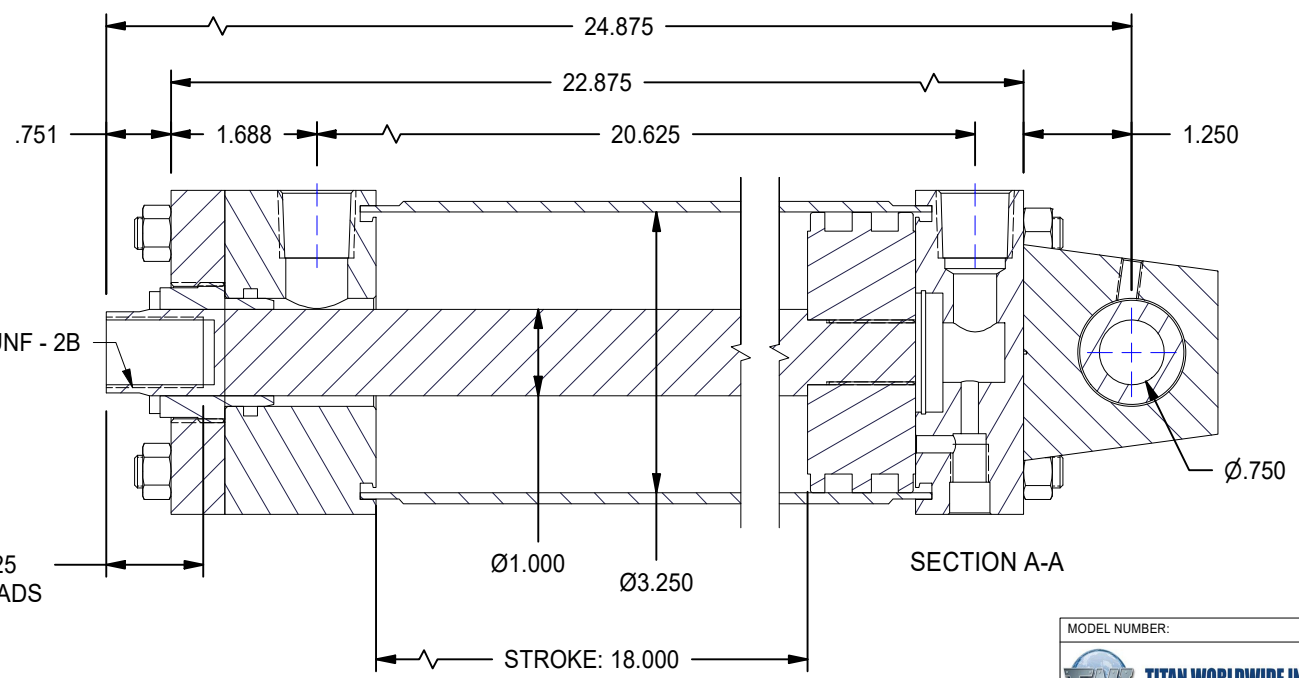
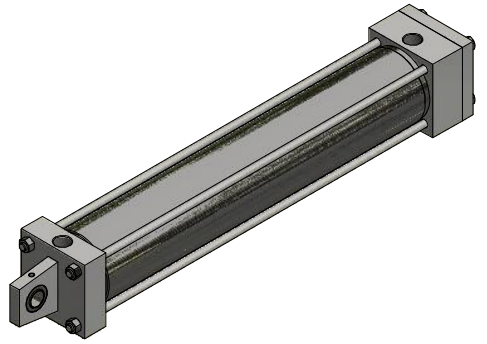
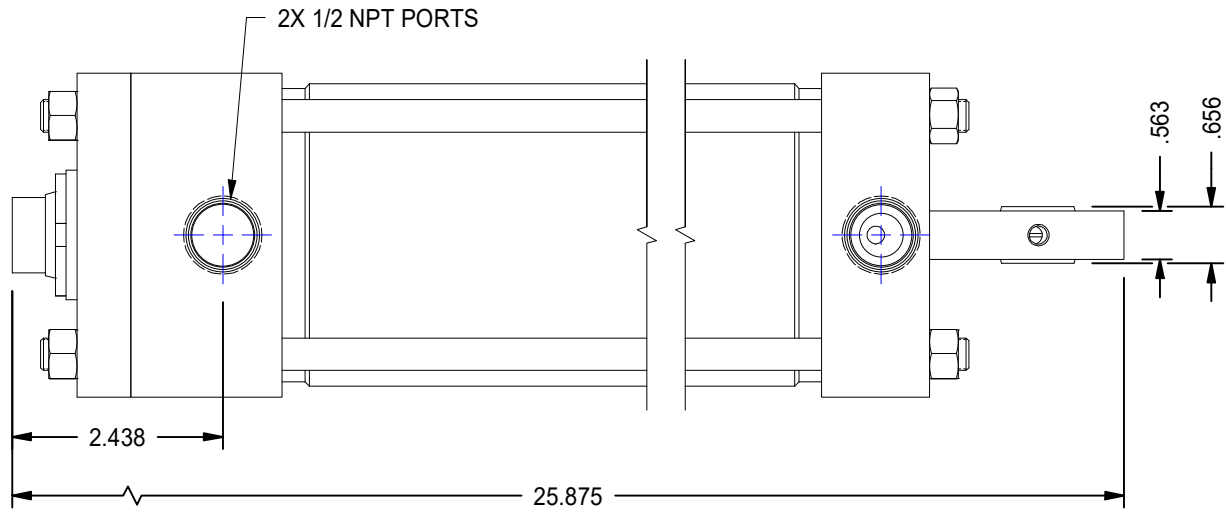



1

2



MODEL NUMBER:		PROJECT/CUSTOMER INFO:		DSGND:	DATE: 2013-03-07
 TITAN WORLDWIDE INC. <small>71 Sun Drive, Clear Hill at junction, in state of power. One that stands out for gracious of all services</small>		CAPACITY: 250 PSI		WEIGHT: 30.071 lbmass	
		SHEET: A SHEET: 1 OF 1 FILENAME: TRP3.25MP5LU14X18.00.idw		TITLE: TRP3.25MP5LU14X18.00	
701 MONTREAL STREET THUNDER BAY, ON P7E 3P-2 CANADA TEL: 807-474-5337 FAX: 807-423-5692 www.titanworldwide.com				DRAWING No:	
				REVISION:	

DATE	INTL	DESCRIPTION	REV

1

2