

1

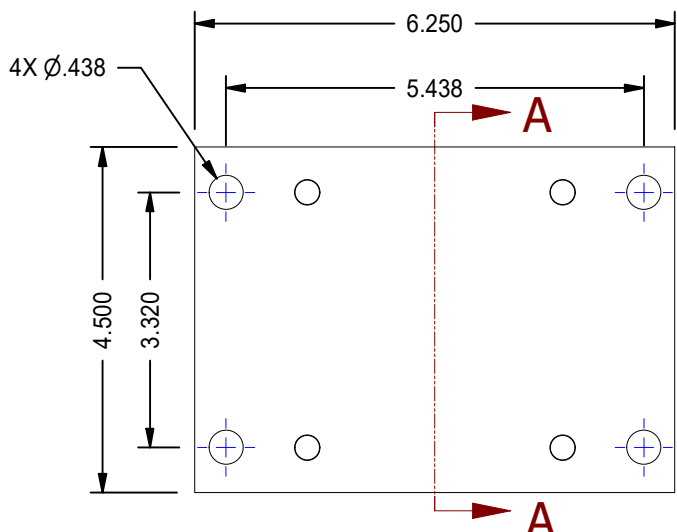
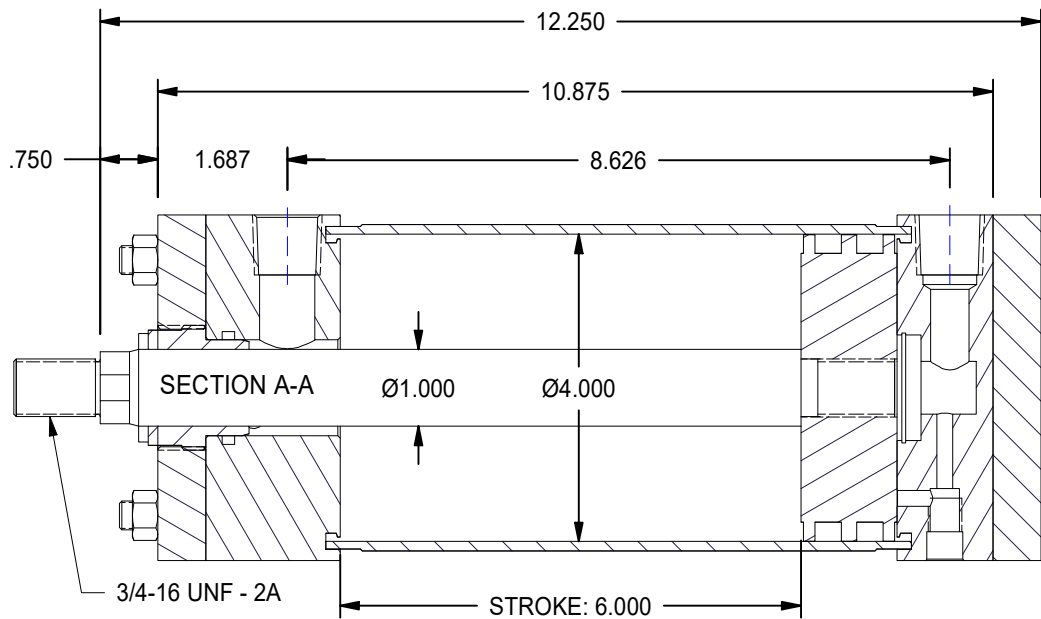
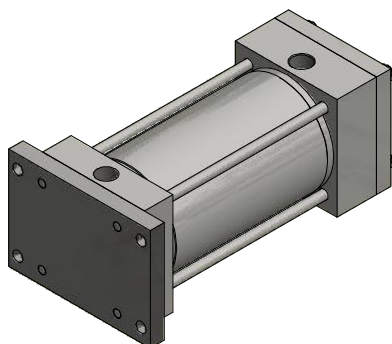
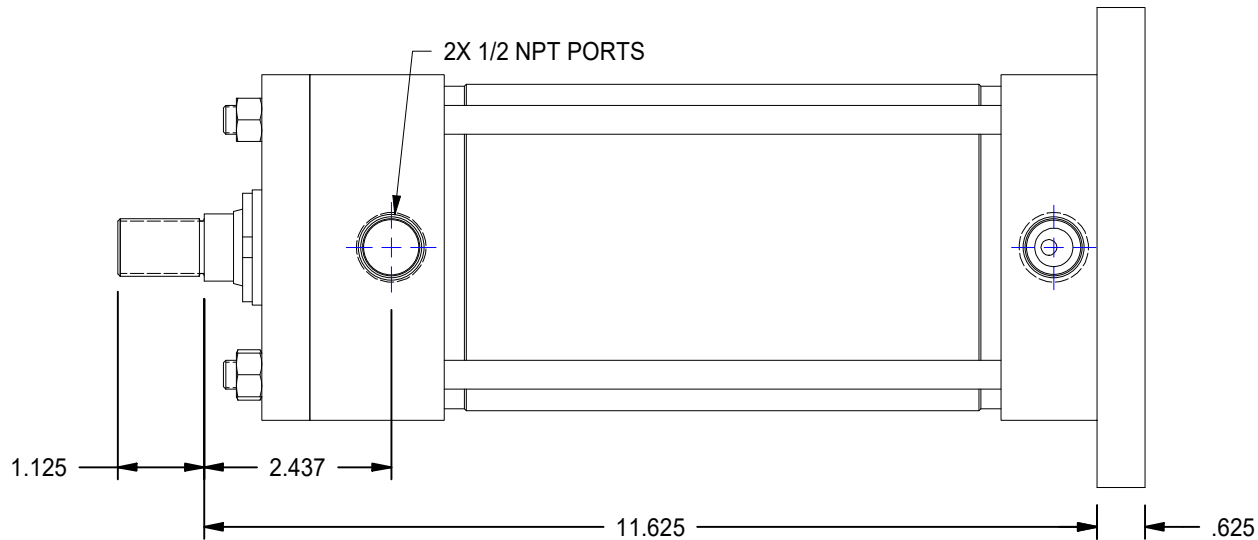
2

A

A

B

B



1

2

1

DATE	INTL	DESCRIPTION	REV

MODEL NUMBER:

**TITAN WORLDWIDE INC.**  
75 Year History  
 Clear fluid or glycerol in case of power. One that stands out for  
 greatness of achievement!

PHONE: 807-474-5337 FAX: 807-623-5692 EMAIL: info@titanworldwide.com WEB: www.titanworldwide.com

701 MONTREAL STREET  
 THUNDER BAY, ON  
 P7E 3P-2  
 CANADA  
 TEL: 807-474-5337  
 FAX: 807-623-5692  
 www.titanworldwide.com

PROJECT/CUSTOMER INFO:		DSGND:	DATE: 2013-03-07
		CAPACITY:	3000 PSI
		WEIGHT:	33.812 lbmass
SHEET SIZE: A	SHEET: 1 OF 1	FILENAME:	TRP4.00MF2LU14X6.00.idw
TITLE: TRP4.00MF2LU14X6.00			
DRAWING No:			REVISION: