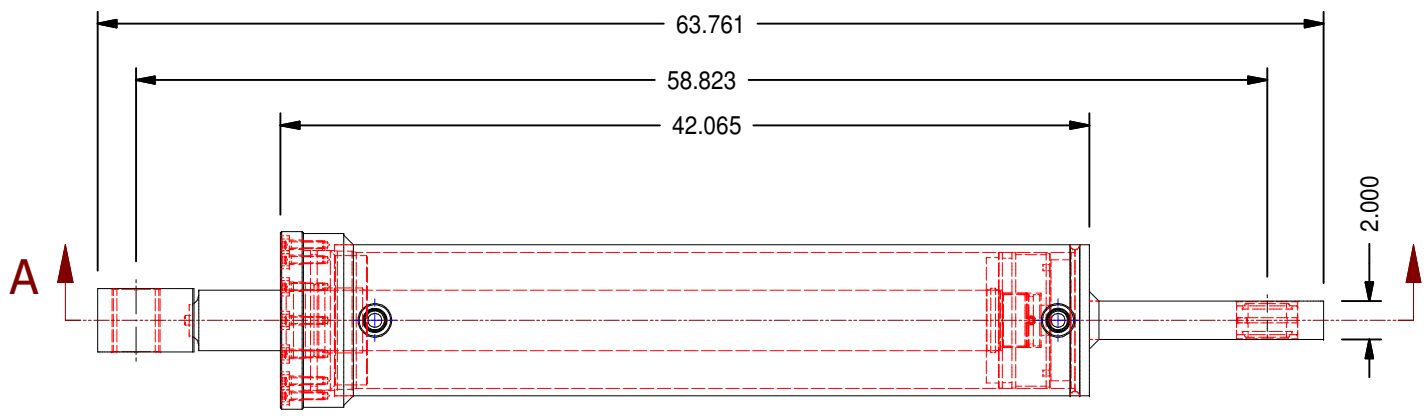


1

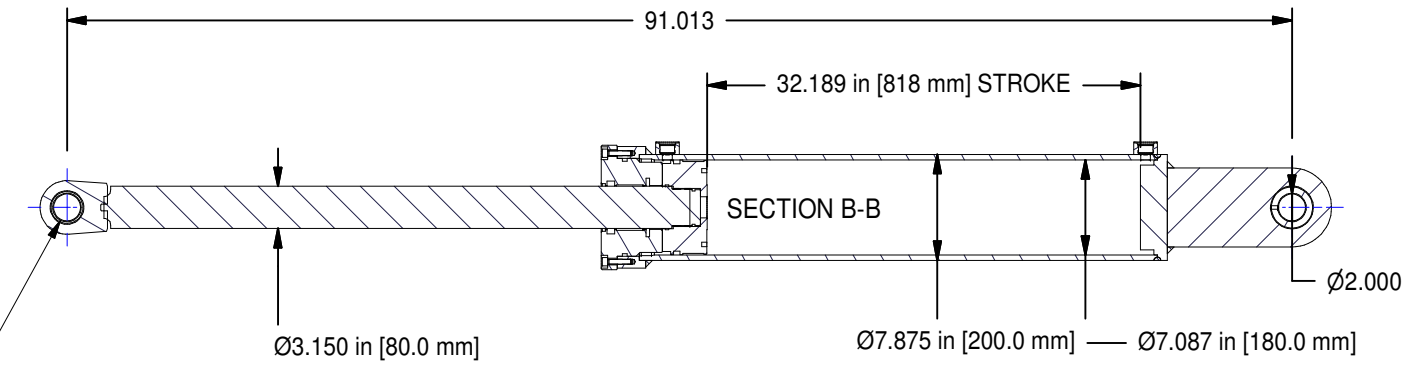
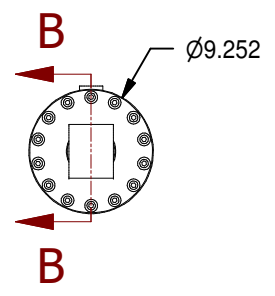
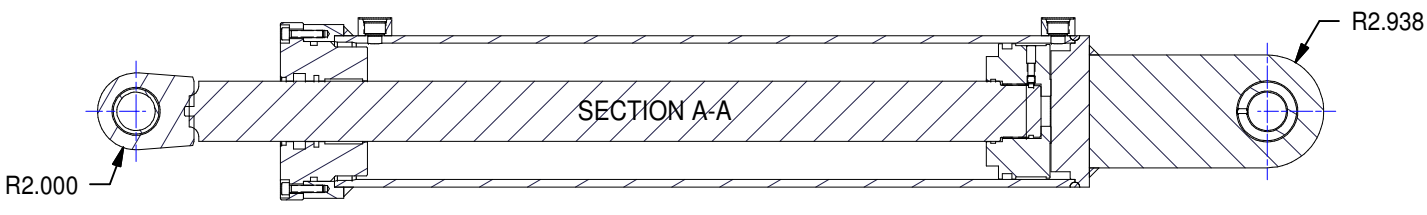
2



APPROVED BY:

NAME: _____

DATE: _____



2X IR-324024 BUSHINGS
PRESS FIT INTO ROD EYE.

TITAN WORLDWIDE INC.
701 MONTREAL STREET
THUNDER BAY, ON
P7E 3P2
CANADA
TEL: 807-474-5937
FAX: 807-623-5692
www.titanworldwide.com

PROJECT/CUSTOMER INFO:		OSGND: FT	DATE: 7/6/2009
GOLDCORP - REDLAKE MINE		CAPACITY	
		WEIGHT:	355.09 lbmass
SHEET SIZE: A	SHEET: 1 OF 11	FILENAME: TBH_4212.idw	
TITLE: HYD CYLINDER ASSEMBLY			
DRAWING No: TBH_4212			REVISION: A

DATE	INITL	DESCRIPTION	REV

1

2